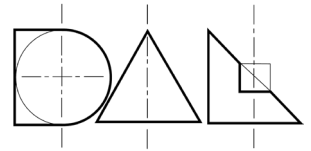
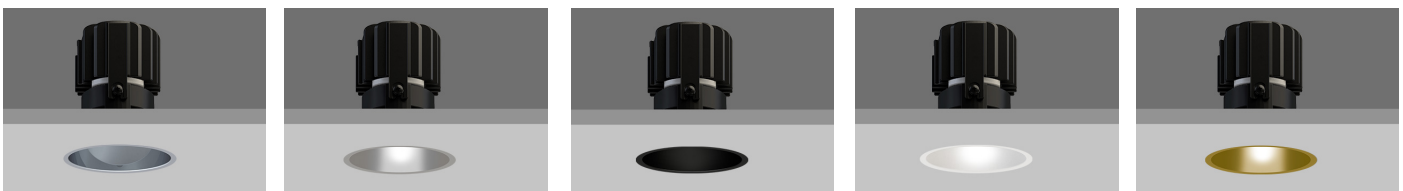
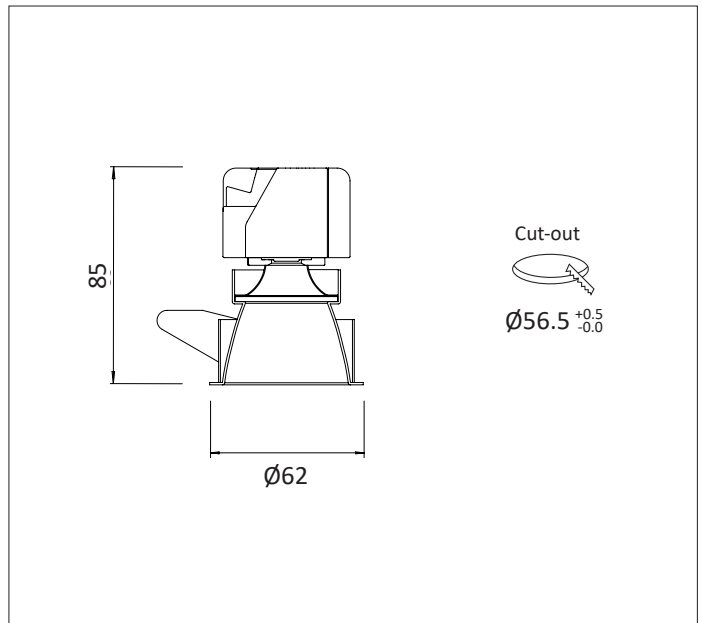
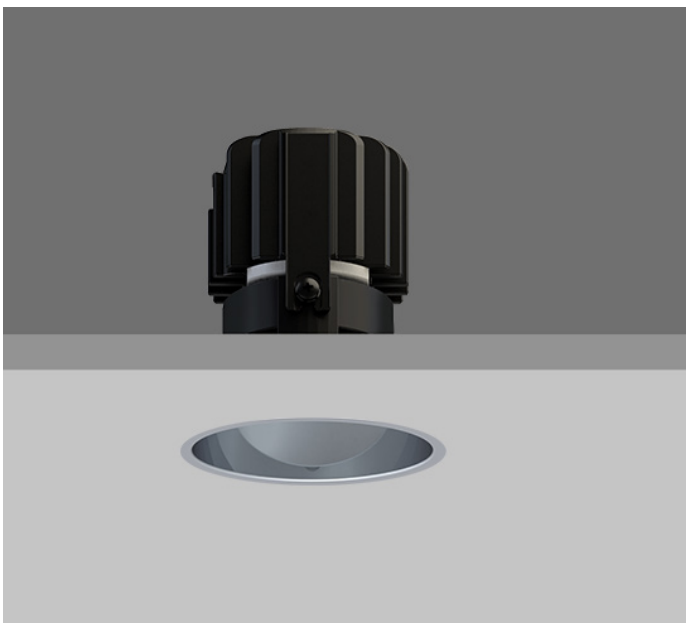


MINITRIM 62 - CREE LED



MINITRIM 62 FIXED Round recessed downlighter with no separate ceiling trim and a choice of deep cone reflector finish and beam distribution. The high-quality precision light controller with lens plus deep cone aluminium reflector gives visual comfort. The MINITRIM 62 is easy to install and incorporates the latest, high efficiency LED technology. Colour consistency through life is ensured by state-of-the-art components and passive cooling aluminium heat sinks. Standard colour temperatures: 2700K, 3000K, 3500K, 4000K, colour rendering Ra >80 and >90 2-3 step Macadam are all available. Life 50000 hours. A choice of drivers provide fixed supply or dimming to project requirements. IP20 durable, high specification diecast construction, colour powder coat finish provides longevity. Built to conform to the requirements of BS EN 60598-1 and IEC 598. The MINITRIM 62 spring mechanism makes installation easy. Photometrically tested to LM-79-08 confirms MINITRIMs high performance.

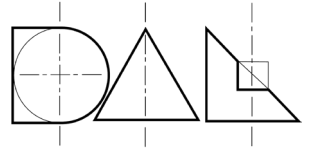


	Spectro Silver	Specular Silver	Satin Silver	Black	White	Gold
IP20						
16°	F8628	F8621	F8622	F8623	F8624	F8625
32°	F8648	F8641	F8642	F8643	F8644	F8645
46°	F8658	F8658	F8652	F8653	F8654	F8655

Other finish are available on request.

CREE LIGHT ENGINE

CXB1310 - (6mm LES)



Engine Order Code	LED Source Initial Lumens	16° Delivered Lumens	32° Delivered Lumens	46° Delivered Lumens	CCT	CRI	Pd (W)	VF forward	Current
08J2	868	520	737	677	2700K	90	7.3W	33.6V	220 mA
10J2	1009	605	857	787	2700K	90	8.8W	32.8V	260 mA
11J2	1146	687	974	893	2700K	90	10.2W	34.0V	300 mA
09J3	920	552	782	717	3000K	90	7.3W	33.6V	220 mA
10J3	1069	641	908	833	3000K	90	8.8W	32.8V	260 mA
12J3	1215	729	1032	947	3000K	90	10.2W	34.0V	300 mA
09J4	966	579	821	753	3500K	90	7.3W	33.6V	220 mA
11J4	1123	673	954	875	3500K	90	8.8W	32.8V	260 mA
12J4	1277	766	1085	957	3500K	90	10.2W	34.0V	300 mA
10J5	1005	603	854	783	4000K	90	7.3W	33.6V	220 mA
11J5	1169	701	993	911	4000K	90	8.8W	32.8V	260 mA
13J5	1328	796	1128	1035	4000K	90	10.2W	34.0V	300 mA

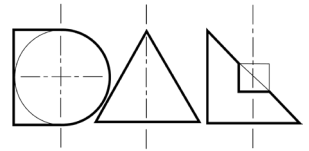
Primary Lumens Quoted via CREE Product Characterization Tool - CXB1310 Std 6r 36V

2700K 90CRI typical [1197], 3000K 90CRI typical [1269], 4000K 90CRI typical [1387].

The figures quoted use TCI (driver manufacturer) data. All performance shown with Black Reflector.

Tolerance range for optical and electrical data: $\pm 10\%$.

DRIVERS & EMERGENCY



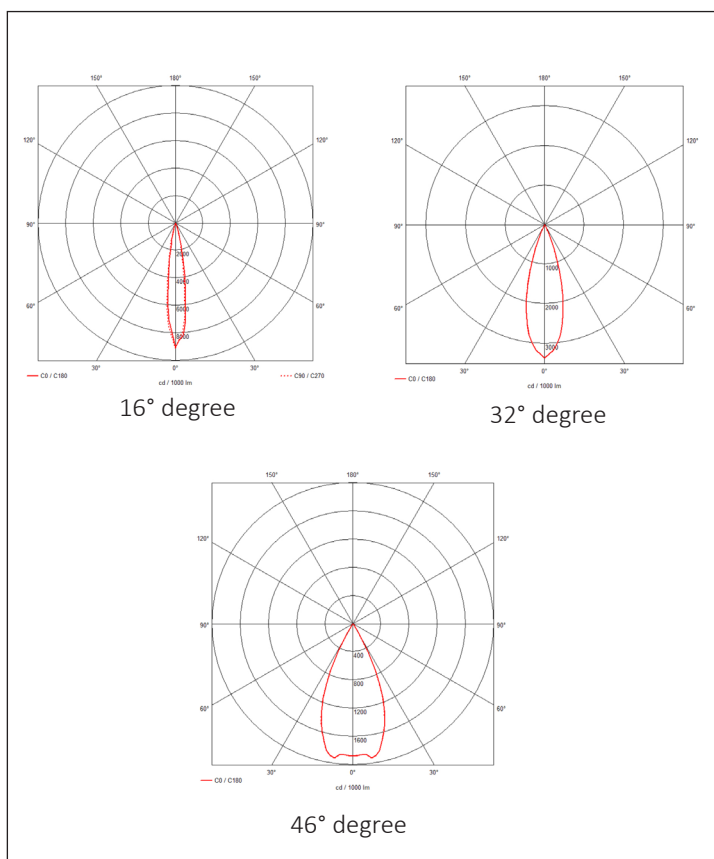
Driver Order Code

0	FIXED
1	1-10V
3	DSI
5	DALI
7	LEAD / TRAIL
9	ADDRESSABLE

Emergency Order Code

0	No emergency
E	3 hour maintained emergency pack
9E	with DALI Addressable with full error feed back

PHOTOMETRIC DATA



Full Product Number Example

F863113J550

F86	Minitrim 62 Fixed LED- IP20
5	32°
7	Specular
11	1169 Source LED Lumens (Initial)
J	CRI >90 - 3 Step MacAdam
5	4000K
5	DALI Dimmable
0	No Emergency